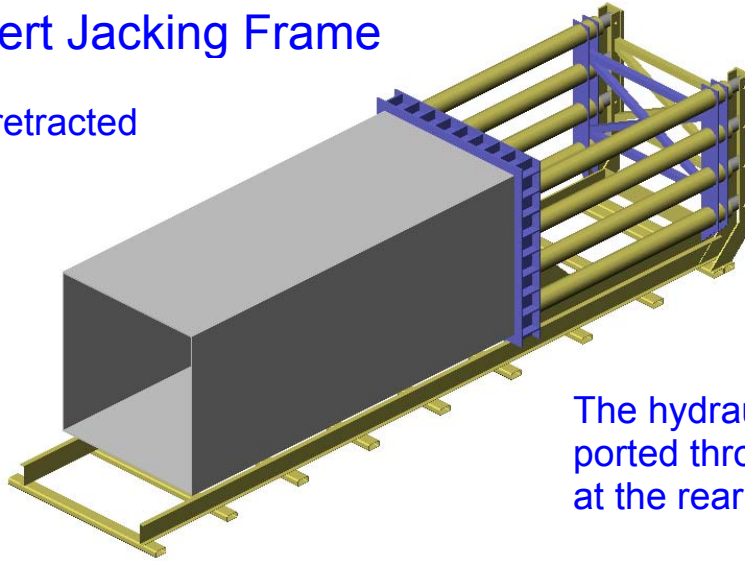


# TENBUSCH

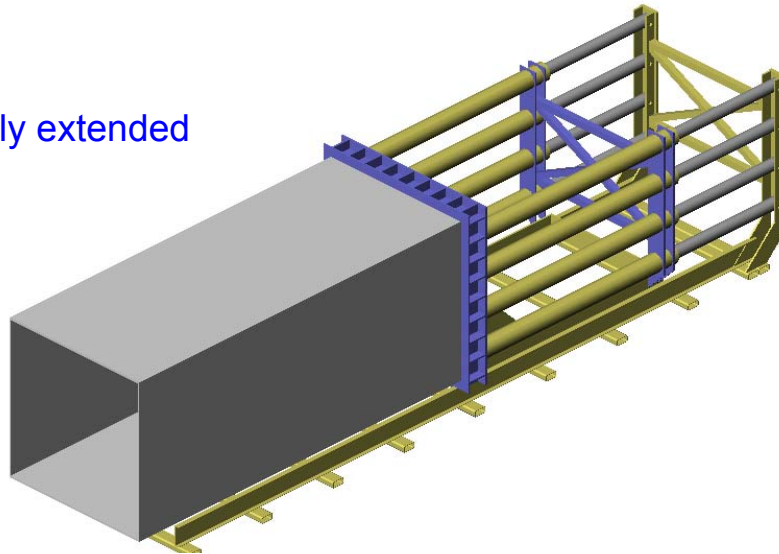
## Box Culvert Jacking Frame

Fully retracted

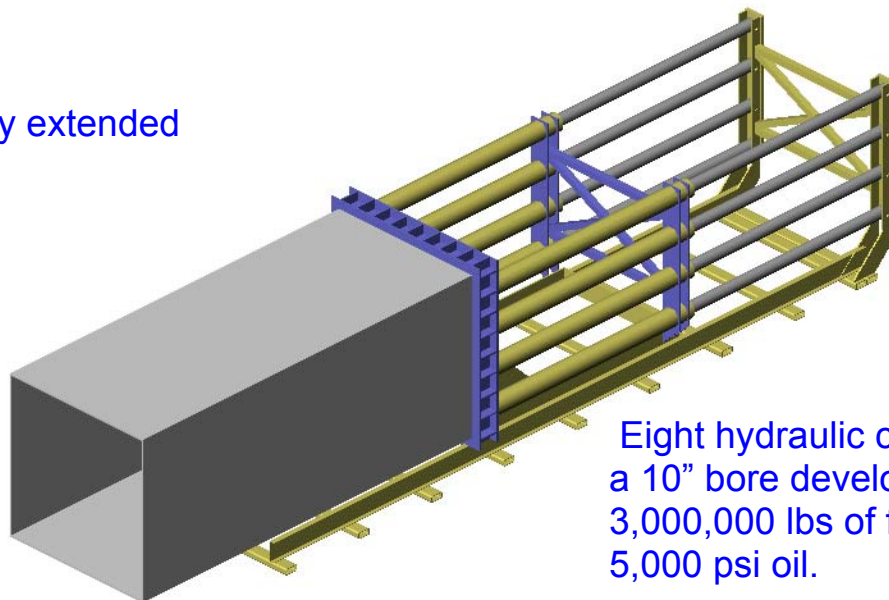


The hydraulic cylinders are ported through the rod end at the rear of the pit.

Partially extended



Fully extended



Eight hydraulic cylinders with a 10" bore develop over 3,000,000 lbs of force using 5,000 psi oil.